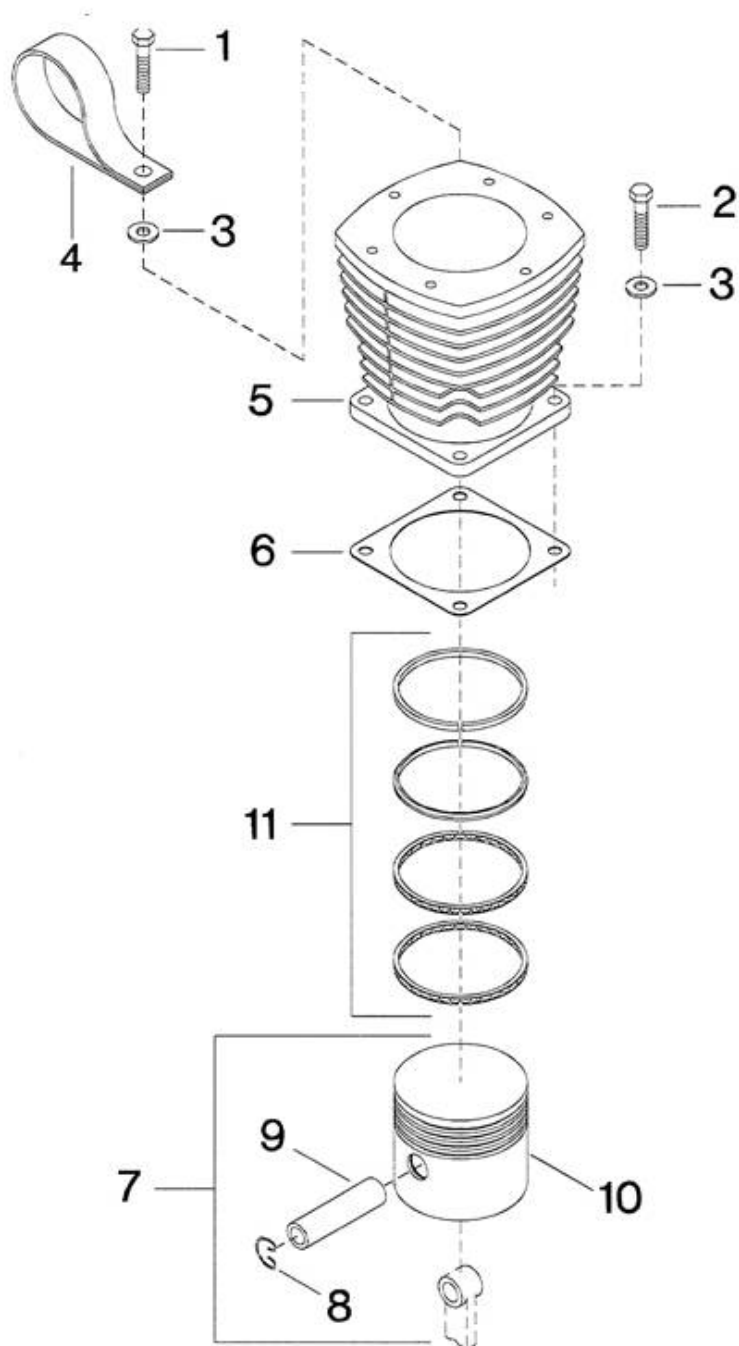


6. First Stage Cylinder & Piston - Model 7100



All manufacturer's names, numbers, photos, product description and/or part numbers are used for reference purposes only & it is not implied that any part listed is the product of these manufacturers. Since Approvement are made from time to time, the illustration and specifications are subject to change without notice.

6. First Stage Cylinder & Piston - Model 7100

REF. NO.	PART NO.	DESCRIPTION	QTY.	SPARES		
				1	2	3
6-1	95052924	CAPSCREW, HEX HEAD - 1/2-13X1-1/2"	1			
6-2	95053567	CAPSCREW, HEX HEAD - 1/2-13X1-1/4"	3			
6-3	95674701	GASKET, COPPER WASHER - 1/2"	4			
6-4	30289748	STRAP, LIFTING	1			
6-5	32172157	CYLINDER, AIR - FIRST STAGE	1			
6-6	30294235	GASKET, FLANGE	1	1	1	2
6-7	30215222	PISTON, AIR - FIRST STAGE - COMPLETE	1		1	1
6-8	30288450	• RING, LOCK	2			
6-9	30288427	• PIN, PISTON	1			
6-10	NSS	• PISTON, AIR - 5-1/2 INCH	1			
6-11	32194144	SET, RING - 5-1/2 INCH	1	1	1	2